


external diameter
● Shielded ○ Unshielded
Sensing distance Sn: mm
Case material
● With indicator light ○ Without indicator light
Illustration

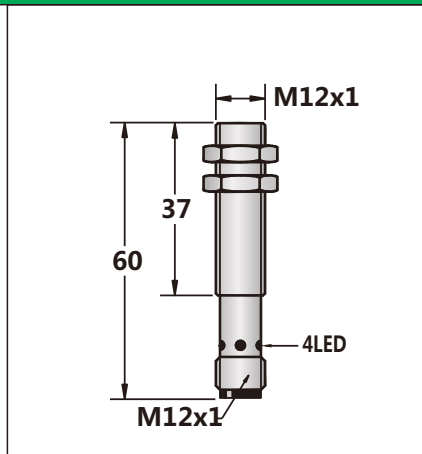
M 12
●
4 mm
Stainless steel or nickel plated copper
●


Technical parameter :

Power supply voltage	10-30VDC / 5-36VDC / 10-55VDC / 10-60VDC
Pulsating voltage	<10%
No-load current	<10mA
Maximum load current	200mA
Leakage current	<0.01mA
Voltage drop	<2.0V
Response frequency	1KHZ
Response time	0.2ms/0.2ms
Hysteresis	<15%(Sr)
Repetition precision	<1.0%(Sr)
Protection grade	IP67
Ambient air temperature	-25°C - +70°C
Temperature drift	<10%(Sr)
Protection circuit	YES
Overload current	220mA
Sensing surface material	POM
DC 3 Line 10-30V NPN NO	
DC 3 Line 10-30V NPN NC	
DC 3 Line 10-30V PNP NO	
DC 3 Line 10-30V PNP NC	
DC 4 Line 10-30V NPN (NC+NO)	
DC 4 Line 10-30V PNP (NC+NO)	
	HS2-C12-P01-E4

Dimensional drawing (Unit: mm)

--



Cable 2M
Approximate weight

31 g
4-17